

Mirafeed

PRECISION ON FEEDING TECHNOLOGY

The most versatile and accurate dosing feeder at the aquaculture market

High accuracy, control and precision feeding
Simple handling, easy cleaning and compact
Single engine allows multiple applications
Feed from 50 microns to 10 mm.

Suitable for Hatcheries, on-growing plants and research centers

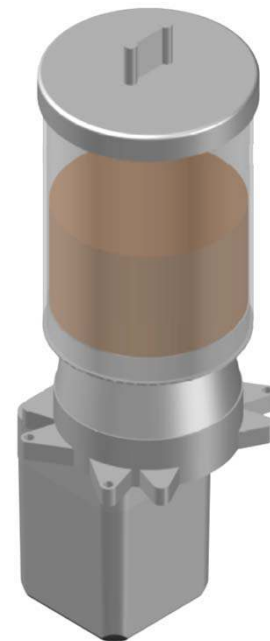
Designed to prevent high humidity conditions and splashes

Designed to avoid vault and caking problems

24VAC

Designed and manufactured in the EU by

I N N O V A Q U A



Mirafeed

MODELS	MIN	MAX	Lab	larvae	fry	Nursery	Ongrow
Mirafeed 100	50 microns	2 mm	✓	✓	✓		
Mirafeed 300	0,5 mm	2,5 mm	✓		✓	✓	
Mirafeed 700	0,5 mm	10 mm				✓	✓

Easy transformation between models with the conversion kits

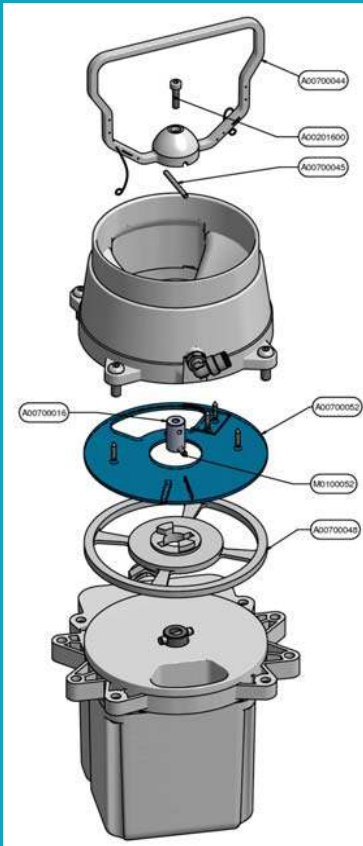


Mirafeed 100

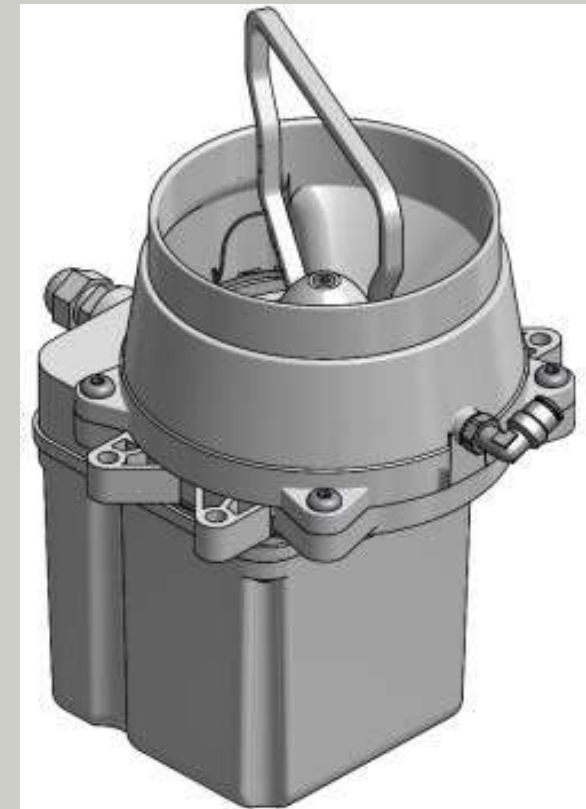
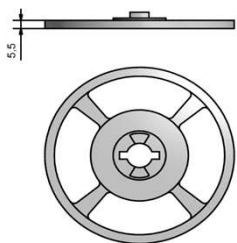
Powder, crumbled and microcapsulated Feed
Arch mixer with spring to avoid vault problems
Transparent hopper 1,5 → 3 liters

OPTIONAL

- Reversible hanger SS AISI 316
- IP68 electric connectors
- Spreader



Flour disc

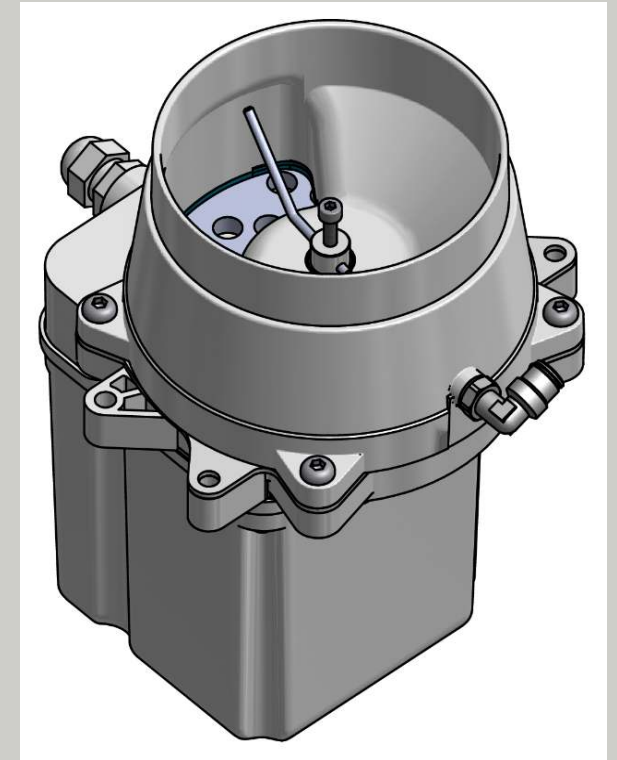
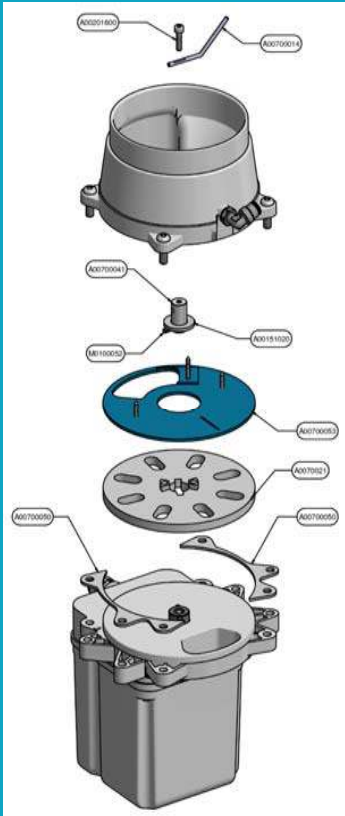


Mirafeed 300

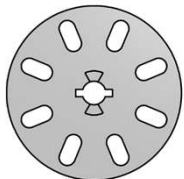
Crumbled, microcapsulated and pellet feed
Interchangeables dosing discs 0,3g and 1g
Air blown inlet for anti-caking
Finger mixer to avoid vault problems
Transparent hopper 3 → 5 liters

OPTIONAL

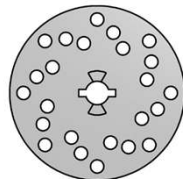
- Hanger SS AISI 316
- IP68 electric connectors
- Spreader



Disc 1g



Disc 0,3g

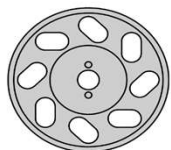
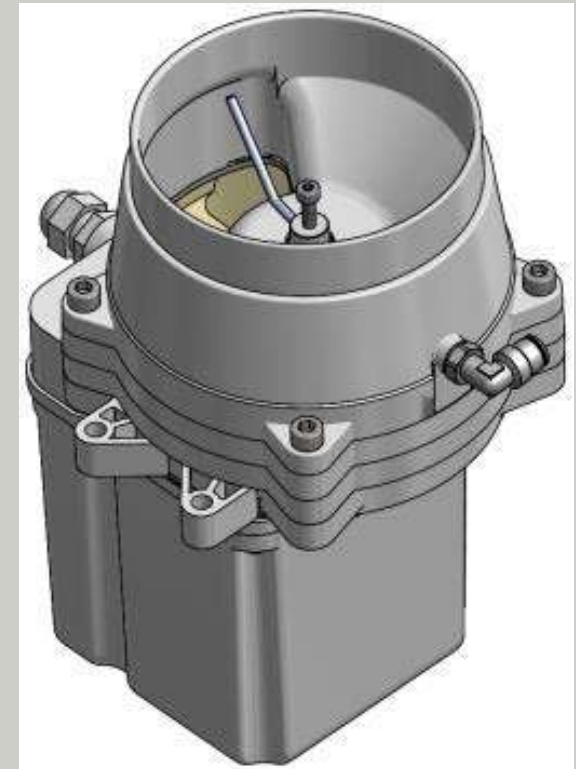
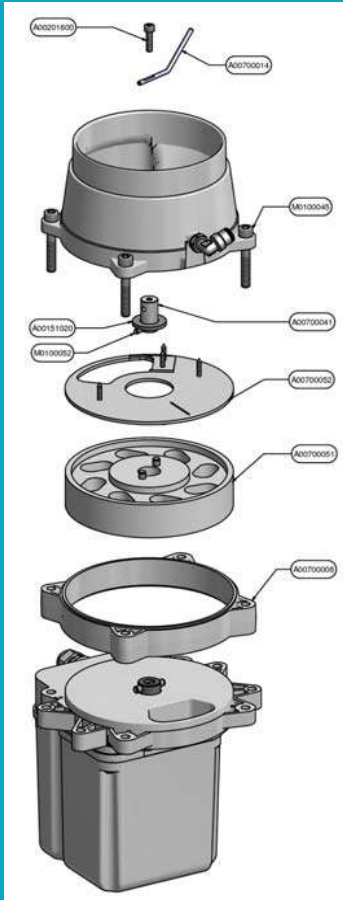


Mirafeed 700

Pellet feed
Interchangeables dosing discs 5g, 20g and 45g,
Finger mixer
PE hopper 30 liters

OPTIONAL

- Hopper hanger
- IP68 electric connectors
- Spreader



Disc 5g



Disc 20g



Disc 45g